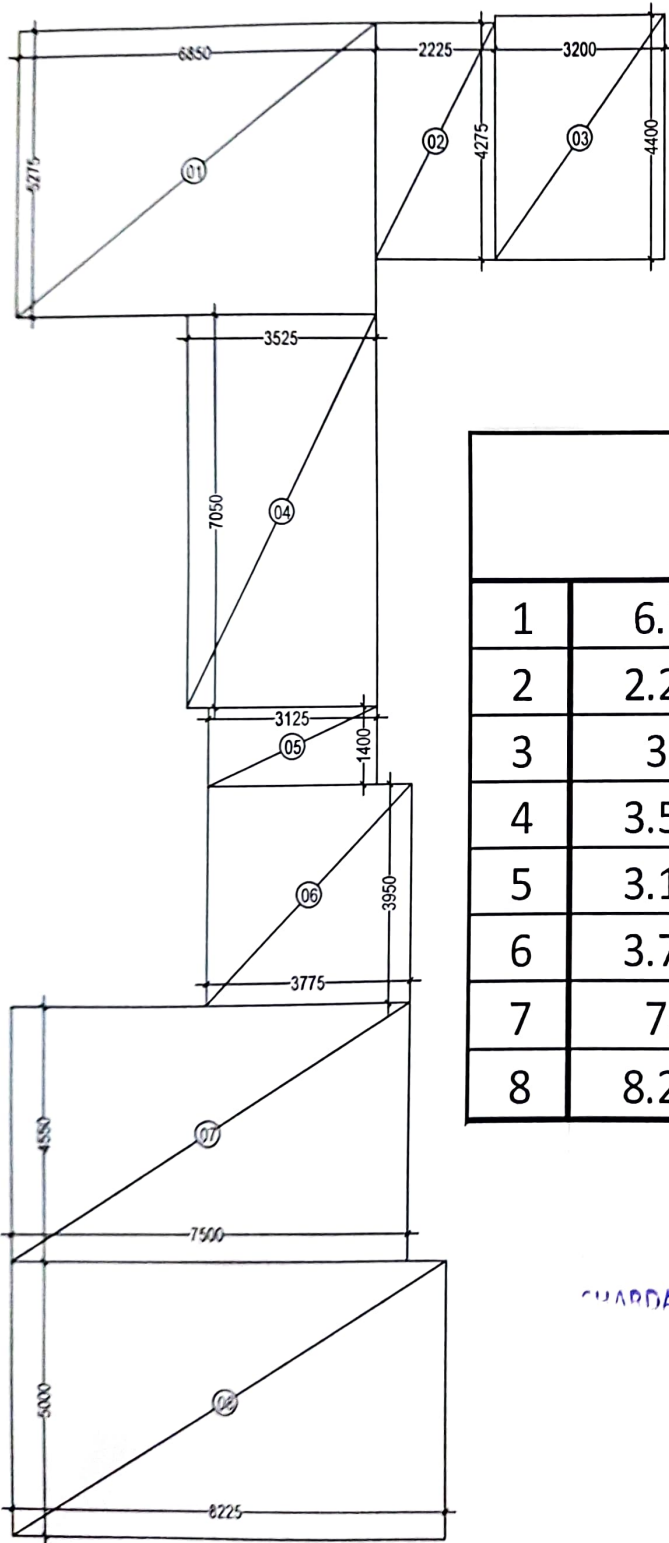


GROUND FLOOR SHOP CARPET AREA

| | | | |
|---|-------|-------|--------|
| 1 | 7.5 | 4.475 | 33.563 |
| 2 | 5.2 | 1.85 | 9.620 |
| 3 | 4.525 | 4.95 | 22.399 |
| 4 | 1.85 | 5.2 | 9.620 |
| | | | 75.202 |

SHARDA MINERALS PVT. LTD.

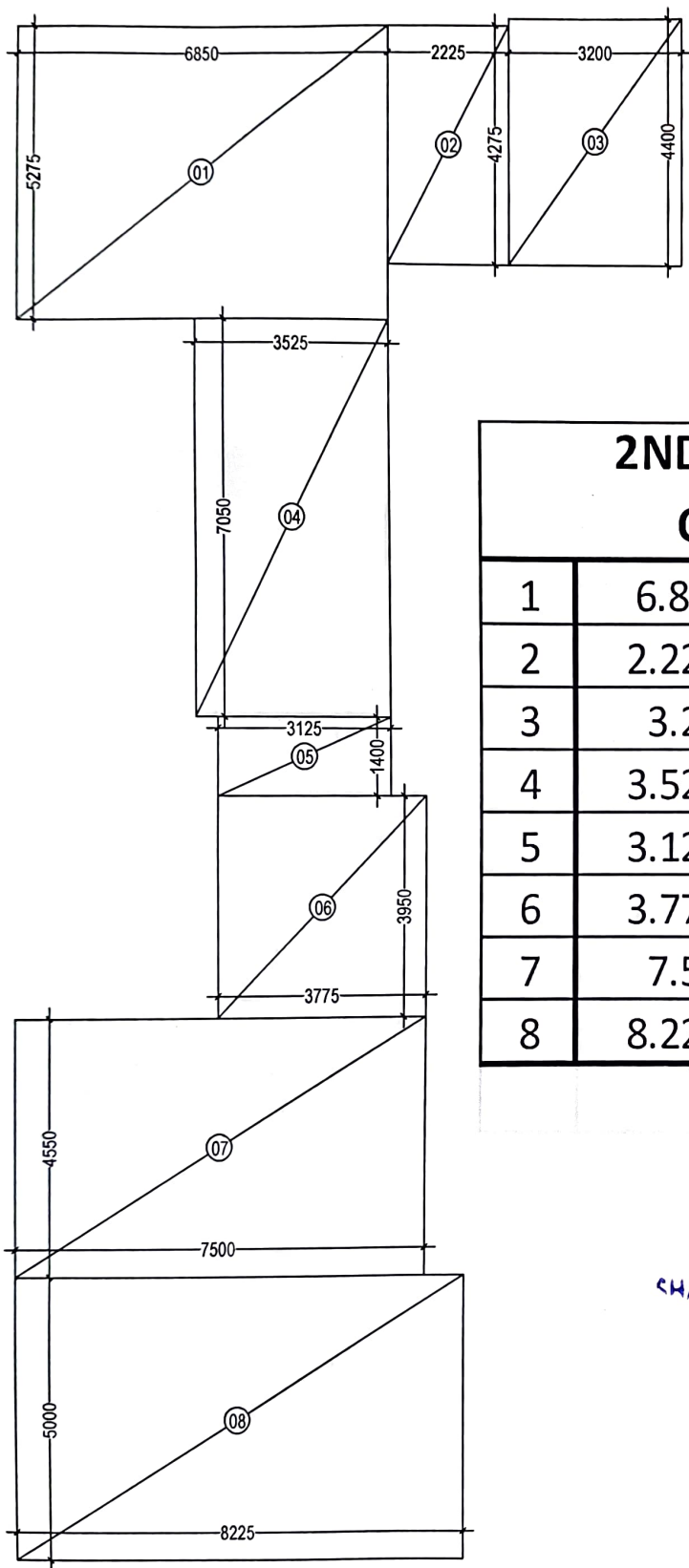

 Director



| 1ST FLOOR OFFICE CARPET AREA | | | |
|---------------------------------|-------|-------|----------|
| 1 | 6.85 | 5.275 | 36.13375 |
| 2 | 2.225 | 4.275 | 9.511875 |
| 3 | 3.2 | 4.4 | 14.08 |
| 4 | 3.525 | 7.05 | 24.85125 |
| 5 | 3.125 | 1.4 | 4.375 |
| 6 | 3.775 | 3.95 | 14.91125 |
| 7 | 7.5 | 4.55 | 34.125 |
| 8 | 8.225 | 5 | 41.125 |
| | | | 179.113 |

GUARDA MINERALS PVT. LTD.

Jaiyan
Director



2ND FLOOR OFFICE CARPET AREA

| | | | |
|---|-------|-------|----------|
| 1 | 6.85 | 5.275 | 36.13375 |
| 2 | 2.225 | 4.275 | 9.511875 |
| 3 | 3.2 | 4.4 | 14.08 |
| 4 | 3.525 | 7.05 | 24.85125 |
| 5 | 3.125 | 1.4 | 4.375 |
| 6 | 3.775 | 3.95 | 14.91125 |
| 7 | 7.5 | 4.55 | 34.125 |
| 8 | 8.225 | 5 | 41.125 |
| | | | 179.113 |

SHARDA MINERALS PVT. LTD.

Jain
Director